



OVAL GEAR TYPE C.M.C FLOW METER (RADIATOR)

■ CHARACTERISTIC

- The accuracy of this DY-GFI flow meter is the most excellent oval gear type among the measuring type flow meter.
- This DY-GF flow meter can be exactly measured.

■ SPECIFICATION

- Fluid : Light Oil, Diesel, Bunker A,B,C, C.M.C
- Temperature : Max100°C (Max160°C-Option)
- Max Pressure : 10kgf/cm² (20kgf/cm²)
- Accuracy : ±1%



(High Temp)

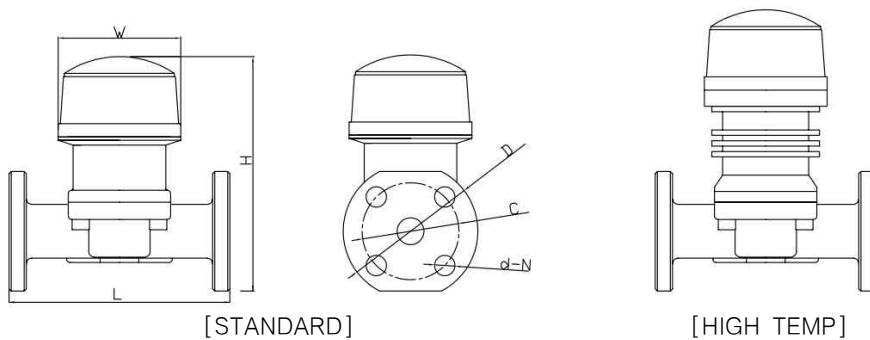
■ MATERIAL

- Body : FC20
- Rotor : Copper Alloy or SUS304
- Radiator : Aluminum

■ FLOW RANGE & TOTALIZER

MODER	SIZE(mm)	FLOW RANGE(L/h)	MIN SCALE (L)
DY-GF 20	20	50~500	0.1
DY-GF 25	25	100~1000	0.1
DY-GF 40	40	300~3000	0.1

■ DIMENSIONS



MODER	LENGTH(mm)							HIGH TEMP : H+175mm
	L	H	W	D	C	d	N	
DY-GF 20	160	160	114	100	75	15	4	
DY-GF 25	205	173	114	125	90	19	4	
DY-GF 40	225	196	114	140	105	19	4	

■ CAUTION

1. Dirt and particles inside the piping cause problem to the flowmeter.
Take special care when installing to new piping, because new piping may have welding debris.
2. Indicator must be installed at eye level and must not face upwards.

DY FLOWTECH Inc.

#135-2, Gagok-li, Hwado-yp, Namyangju-si, Geonggi-do, 472-841, Korea
 TEL : +82-31-594-4748 FAX : +82-31-594-4749 E-mail : dyit4514@naver.com